

Vertical Panel Radiator

Single and double panel (V10 and V20)

Important Notes:

- The header with the flow/return connections contains a baffle and is identified by a sticker (shown on the right).
- Connections in the opposite header are to be used as vents or drains depending on the orientation of the radiator.
- Ensure there is no trapped air in the radiator by adequately bleeding the system during installation.
- Flow rate may need to be adjusted/ balanced for optimum performance.

General information: The installation and commissioning of the system should comply with BS EN 14336:2004. On completion of the installation, the system should be properly flushed and filled in accordance with the British Code of Practice for the Treatment of Water in Domestic Hot Water Central Heating Systems (BS 7593:2006). We strongly recommend the use of a corrosion inhibitor. Failure to comply with these standards might invalidate the manufacturer's warranty.

All dimensions are in mm.

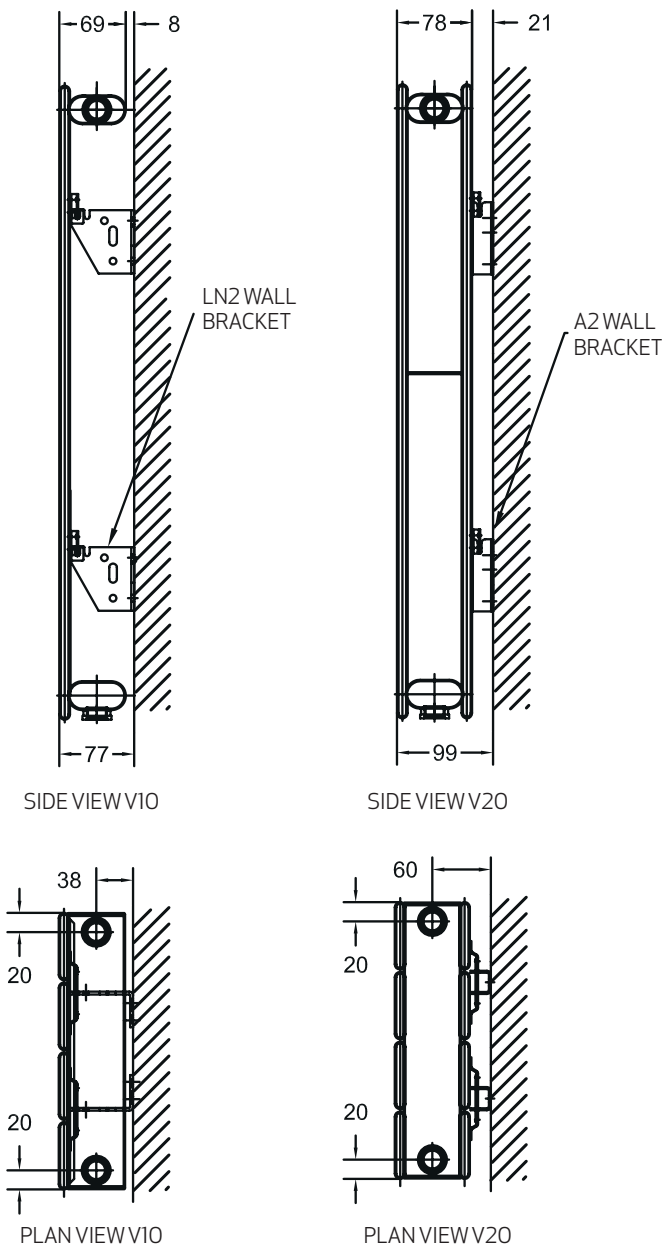
International Head Office

QRL Radiator Group, Imperial Park, Newport, South Wales, NP10 8FS, UK

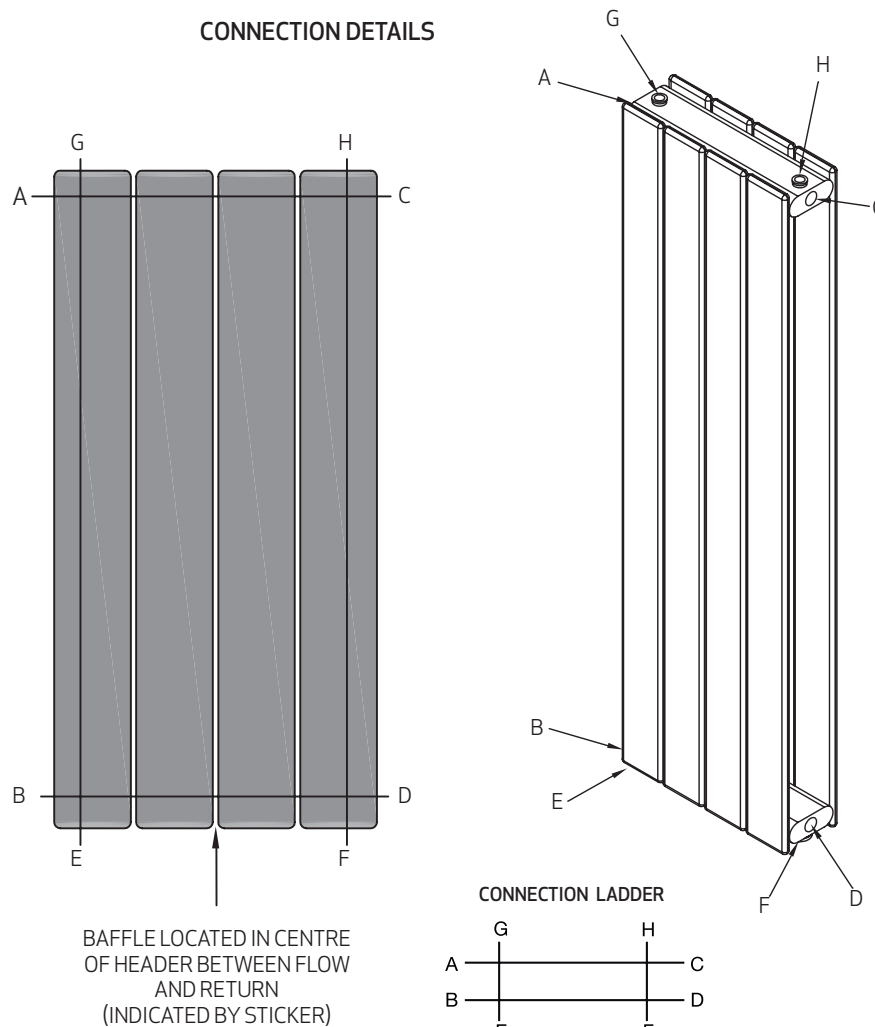
Tel: +44 (0)1633 657 000

www.qrl-radiators.com
www.merriottuk.com
www.merriott.ie

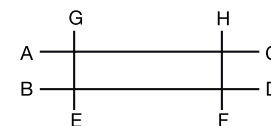
BRACKET MOUNTING AND PIPE CENTRE DETAILS



CONNECTION DETAILS



CONNECTION LADDER



Notes:

TBSE (top bottom same end) AB/GH/DC/HF connections do not require a baffle this must be specified at the time of order.

Radiator should be connected BBOE (Bottom Bottom Opposite End) EF/GH. If other configurations are required they must be specified at the time of order.

Information for the installer

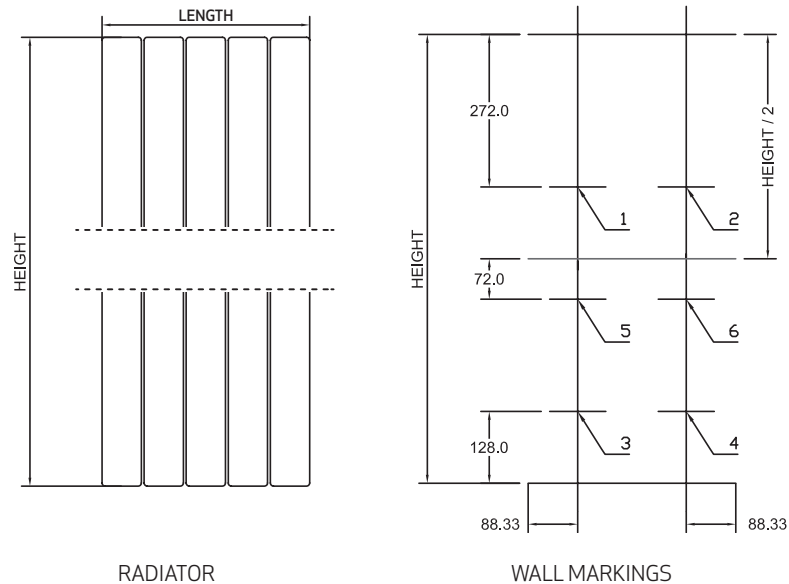
Vertical Panel Radiator

Single and double panel (V10 and V20)

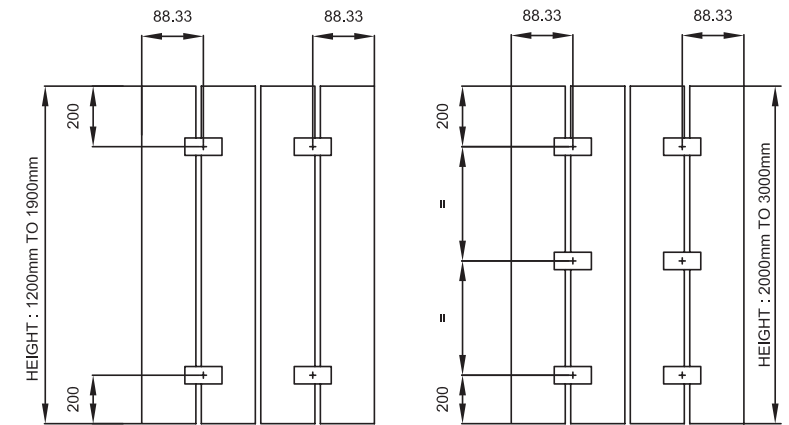
Installation procedure:

1. Choose the location where you wish to install the radiator.
2. Measure the length & height and mark the positions for the wall brackets with a pencil (see FIG. 1).
3. Place the wall brackets over the pencil marks on the wall as shown by points 1, 2, 3, 4, 5 & 6 in FIG. 1 and mark the positions of the wall plugs and screws as indicated in FIG. 3. Please note: points 5 & 6 only relate to radiators over 1900mm high.
4. Drill the necessary holes in the wall and install the wall brackets.
5. Fit air vents/drains to the radiator.
6. Mount the radiator on to the wall brackets.
7. Connect the water supply via the shut off valve.
8. The return line of the central heating system is connected to the opposite side of the radiator via the lock shield valve.
9. Fill the radiator (if possible from the bottom) and purge the air from the radiator using the vent if required.

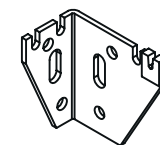
RADIATOR WALL LOCATION
FIG. 1



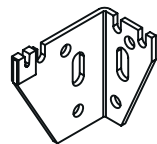
MOUNTING LUG LOCATIONS
FIG. 2



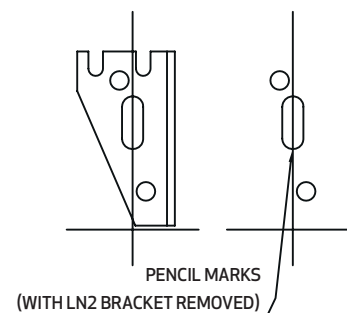
BRACKET DETAILS
FIG. 3



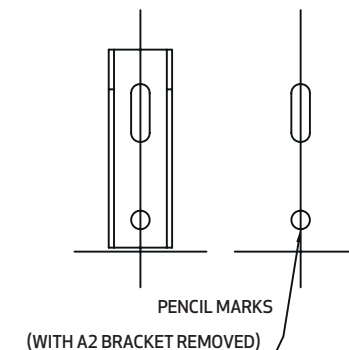
LEFT HAND
LN2 BRACKET



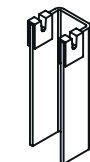
RIGHT HAND
LN2 BRACKET



USE ON V10 MODEL



USE ON V20 MODEL



A2 BRACKET